

HYDRA Digital Indicator with Switch Points Model HI, HYDRA-Indicator

WIKA Data Sheet SP 99.23

Applications

- Semiconductor industry
- UHP- liquid chemicals distribution

Special features

- For panel mount or as integrated indicator for model HYDRA-Dry
- Up to 2 switch points freely programmable
- Ingress protection IP 67
- 5 different units manually adjustable



HYDRA-Indicator
panel-mount

HYDRA-Dry
with integrated indicator

Description

Dynamic

The digital indicator model HYDRA-Indicator offers a unique solution for a local display of the process pressure at the transducer model HYDRA-Dry. With this HYDRA-indicator, which has been specially designed for the UHP market, a signal and freely adjustable switch points can be transmitted simultaneously. Its scale can be fully adjusted directly on site without master instrument.

Unit (psi, bar, kPa, MPa and kg/cm²), decimal point, display range, zero point and switch points can be adjusted via the control keys.

Comfortable

Power is directly supplied by the 4 ... 20 mA-loop, i.e. no extra power supply is required.

Practical

The seven millimetre high, red LED display is easy to read. In order to be able to adapt the HYDRA-indicator to the application, it is available in two different versions:

- HYDRA-Indicator panel mount
- HYDRA-Indicator integrated in transducer HYDRA-Dry for display direct at the measuring instrument

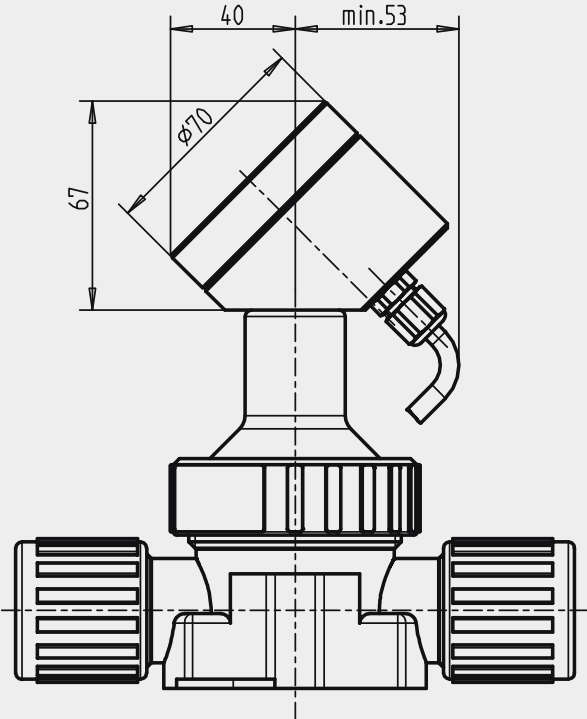
Technical data
Model HI, HYDRA-Indicator

Display		
■ Design		7-Segment-red LED, height 7 mm, 4-digit
■ Range		-999 ... 6000
■ Accuracy	% of span	≤ 0.5 ±1 digit
Scaling adjustment		Menu-driven programming via external control keys
		Adjustable measuring range einstellbar
		Adjustable decimal point
		Programmable pressure units: bar, psi, kg/cm ² , MPa, kPa
		Zero point freely adjustable within a range of ±10 % of the span
Signal input	mA	4 ... 20, 2-wire (supplied by the current loop, 6 V voltage load)
Signal output		Analogue signal is directly looped through
Max. permissible input	mA / VDC	±40 (short duration only)
CE-conformity		89/336/EWG interference emission and Interference compatibility see EN 61 326
Switch points		Individually adjustable via external control keys
■ Number		2 x NPN Open-Collector galvanically isolated
■ Function		Make contact, break contact
■ Adjustment		Freely adjustable within a range of 1 ... 99 % of the span
■ Temperature error		< 0.1% / 10 K
■ Accuracy	% of span	≤ 0.5 ±1 digit
■ Max. switching current	mA	300
■ Display of switch status		LED
■ Response time	ms	< 15
■ Hysteresis	%	0.5 (fixed)
Power supply U _B	VDC	16 ... 30
Influence of power supply		< 0.1% / 10 V
Permissible temperature range		
■ Ambient	°C	- 30 ... +85
■ Storage	°C	- 30 ... +85
■ Compensated	°C	- 20 ... +80
Temperature error	% of span	< 0.1/10K
Vibration resistance	g	5 at 10 ... 2000 Hz
Shock resistance	g	100
Electrical connection		Flying lead with 5 m cable
Ingress protection per IEC 60 529 / EN 60 529		IP 67
Wiring protection		Protected against polarity crossing +U _B /0V
Materials		
■ Case		PP and PFA
■ Cable		Coated with PTFE
Installation		Panel mount Ø 69.5 mm or mounted on pressure transducer HYDRA-Dry

{ } Items in curved brackets { } are optional extras for additional price.

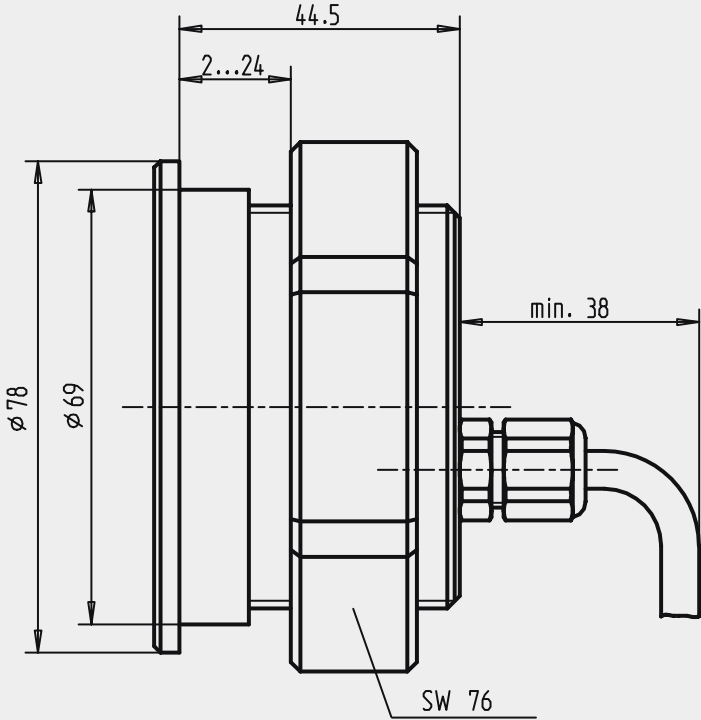
Dimensions in mm

Integrated HYDRA-Indicator



2460187.01

HYDRA-Indicator panel-mount



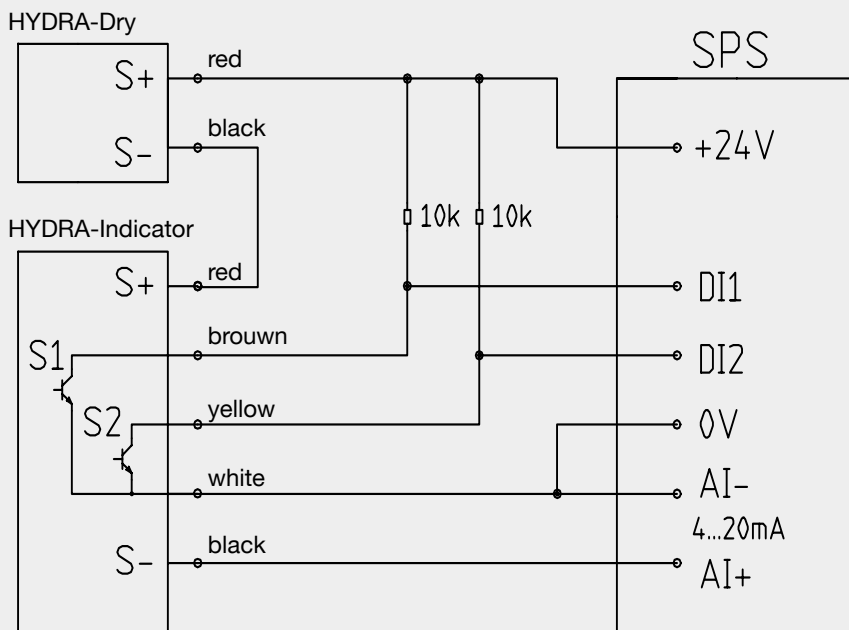
2479113.01

Electrical connection

Flying leads



Example for connection programmable logic controller (PLC)



Modifications may take place and materials specified may be replaced by others without prior notice.
Specifications and dimensions given in this leaflet represent the state of engineering at the time of printing.

