

Differential pressure gauge with output signal,
model DPGT40

EN

Differenzdruckmanometer mit Ausgangssignal,
Typ DPGT40

DE

CE

DELTA-trans



Differential pressure gauge with output signal
and integrated working pressure indication, model DPGT40

WIKAI

Part of your business

EN	Operating instructions, model DPGT40	Page	3 - 22
DE	Betriebsanleitung, Typ DPGT40	Seite	23 - 41

© 03/2014 WIKA Alexander Wiegand SE & Co. KG
All rights reserved. / Alle Rechte vorbehalten.
WIKA® is a registered trademark in various countries.
WIKA® ist eine geschützte Marke in verschiedenen Ländern.

Prior to starting any work, read the operating instructions!
Keep for later use!

Vor Beginn aller Arbeiten Betriebsanleitung lesen!
Zum späteren Gebrauch aufbewahren!

Contents

1. General information	4
2. Safety	5
3. Specifications	9
4. Design and function	12
5. Transport, packaging and storage	13
6. Commissioning, operation	14
7. Options and accessories	19
8. Maintenance	20
9. Dismounting, return and disposal	21
Annex: EU declaration of conformity	42

Declarations of conformity can be found online at www.wika.com.

1. General information

- The instrument described in the operating instructions have been designed and manufactured using state-of-the-art technology. All components are subject to stringent quality and environmental criteria during production. Our management systems are certified to ISO 9001 and ISO 14001.
- These operating instructions contain important information on handling the instrument. Working safely requires that all safety instructions and work instructions are observed.
- Observe the relevant local accident prevention regulations and general safety regulations for the instrument's range of use.
- The operating instructions are part of the product and must be kept in the immediate vicinity of the instrument and readily accessible to skilled personnel at any time.
- Skilled personnel must have carefully read and understood the operating instructions prior to beginning any work.
- The manufacturer's liability is void in the case of any damage caused by using the product contrary to its intended use, non-compliance with these operating instructions, assignment of insufficiently qualified skilled personnel or unauthorised modifications to the instrument.
- The general terms and conditions contained in the sales documentation shall apply.
- Subject to technical modifications.
- Further information:
 - Internet address: www.wika.de / www.wika.com
 - Relevant data sheet: PV 17.19
 - For Ex version: Additional Information for hazardous areas (Ex i)

Explanation of symbols



WARNING!

... indicates a potentially dangerous situation that can result in serious injury or death, if not avoided.



Information

... points out useful tips, recommendations and information for efficient and trouble-free operation.

2. Safety



WARNING!

Before installation, commissioning and operation, ensure that the appropriate instrument has been selected in terms of design and specific measuring conditions.

Check the compatibility with the medium of the materials subjected to pressure!

In order to guarantee the measuring accuracy and long-term stability specified, the corresponding load limits must be observed.

Only work on the gauge with the voltage disconnected.

Non-observance can result in serious injury and/or damage to the equipment.



Information

Further important safety instructions can be found in the individual chapters of these operating instructions.

2.1 Intended use

The differential pressure measuring instruments of the DELTA-line product family are primarily used for the monitoring of low differential pressures where there are high requirements in terms of one-sided overpressure and static pressure.

Typical markets for these products are the shipbuilding industry, process heating technology, the heating, ventilation and air-conditioning industries, the water/wastewater industry, and machine building and plant construction. For these, the main function of the measuring instruments is the monitoring of filters, compressors and pumps.

Classification per European pressure equipment directive

- Instrument type: Pressure accessory without safety function
- Media: Liquid or gaseous, group 1 (dangerous)
- Maximum permissible pressure PS, see chapter 2.4 "Labelling / safety marks"
- Volume: < 0.1 l

The instrument has been designed and built solely for the intended use described here, and may only be used accordingly.

The manufacturer shall not be liable for claims of any type based on operation contrary to the intended use.

2.2 Personnel qualification



WARNING!

Risk of injury should qualification be insufficient!

Improper handling can result in considerable injury and damage to equipment.

- The activities described in these operating instructions may only be carried out by skilled personnel who have the qualifications described below.

Skilled personnel

Skilled personnel are understood to be personnel who, based on their technical training, knowledge of measurement and control technology and on their experience and knowledge of country-specific regulations, current standards and directives, are capable of carrying out the work described and independently recognising potential hazards.

2.3 Special hazards



WARNING!

For hazardous media such as oxygen, acetylene, flammable or toxic gases or liquids, and refrigeration plants, compressors, etc., in addition to all standard regulations, the appropriate existing codes or regulations must also be followed.

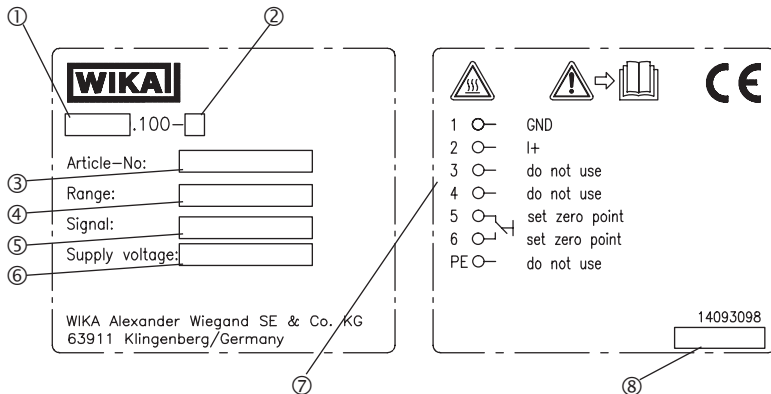


WARNING!

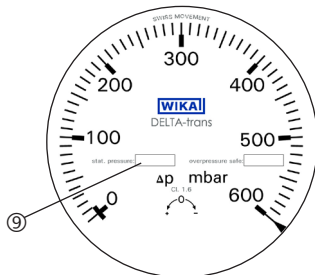
Residual media in dismantled measuring instruments can result in a risk to persons, the environment and equipment. Take sufficient precautionary measures.

2.4 Labelling, safety marks

Product label



Dial (example)



- ① Model DPGT40
- ② Code
 - A Output signal 4 ... 20 mA, 2-wire
 - E Output signal 4 ... 20 mA, 2-wire, ATEX Ex II 2G Ex ib IIC T4 / T5 / T6
 - B Output signal 0 ... 20 mA, 3-wire
 - F Output signal 0 ... 10 V, 3-wire
- ③ Article number
- ④ Measuring range
- ⑤ Output signal
- ⑥ Supply voltage
- ⑦ Pin assignment
- ⑧ Date of manufacture
- ⑨ Maximal permissible pressure PS per European Pressure Equipment Directive

Explanation of symbols



Before mounting and commissioning the instrument, ensure you read the operating instructions!

EN



CE, Communauté Européenne

Instruments bearing this mark comply with the relevant European directives.



Risk of burns!

Potentially dangerous situation caused by hot surfaces.

Due to the maximum permissible process temperature of 90 °C, measuring cells, adapters, valves or other attachment parts can reach a temperature of 90 °C.

3. Specifications

3. Specifications

Mechanical data	DELTA-trans model DPGT40
Nominal size	Differential pressure indication: Ø 100 mm Working pressure indication: Ø 22 mm
Accuracy	Differential pressure indication: ≤ 2.5 % of span (option ≤ 1.6 %) Working pressure indication: ≤ 4 % of span
Scale ranges (EN 837)	Differential pressure: 0 ... 0.16 to 0 ... 10 bar Working pressure: 0 ... 25 bar
Max. working pressure (stat.)	25 bar
Overload safety	Max. 25 bar On one, both and alternatingly on the ⊕ and ⊖ side
Permissible temperature	Ambient: -10 ... +70 °C (Ex version: -10 ... +60 °C) Medium: -10 ... +90 °C Storage: -40 ... +70 °C
Ingress protection	IP65 per EN /IEC 60529
Media chamber (wetted)	Aluminium, EN AC–Al Si9Cu3(Fe), black lacquered (option: Stainless steel 1.4571)
Process connections (wetted)	2 x G 1/4 female, lower mount, in-line, centre distance 26 mm
Pressure elements (wetted)	Differential pressure: Compression springs from stainless steel 1.4310 and separating diaphragm from FPM/FKM (option: NBR) Working pressure: Bourdon tube from Cu-alloy
Transmission parts (wetted)	Stainless steel 1.4301, 1.4305, 1.4310, FPM/FKM (option: NBR)
Sealings (wetted)	FPM/FKM (option: NBR)
Movement	Copper alloy
Dial	Differential and working pressure indication: White dial, black lettering
Pointer	Differential and working pressure indication: Blue pointer
Zero point setting for differential pressure indication	Via screw in the dial
Case	Aluminium, EN AC–Al Si9Cu3(Fe), black lacquered
Window	Plastic, with plug screw for zero adjustment
Weight	approx. 1.3 kg

EN

3. Specifications

Electrical data		
Supply voltage U_B	DC V	12 < U_B ≤ 30 (Variant 1 + 3) 14 < U_B ≤ 30 (Variant 2) 15 < U_B ≤ 30 (Variant 4)
Influence of supply voltage	% FS/10 V	≤ 0.1
Permissible residual ripple	% ss	≤ 10
Output signal	Variant 1 Variant 2 Variant 3 Variant 4	4 ... 20 mA, 2-wire, passive, per NAMUR NE 43 4 ... 20 mA, 2-wire, Ex version 0 ... 20 mA, 3-wire 0 ... 10 V, 3-wire
Permissible max. load R_A (variant 1 - 3)		$R_A \leq (U_B - 12 \text{ V})/0.02 \text{ A}$ with R_A in Ω and U_B in V, however max. 600 Ω
Effect of load (variant 1 - 3)	% FS	≤ 0.1
Electrical zero point		Through a jumper across terminals 5 and 6
Long-term stability of electronics	% FS/a	< 0.3
Electr. output signal		≤ 2.5 % of measuring span (option ≤ 1.6 %)
Linear error	% of span	≤ 2.5 % (option ≤ 1.6 %), terminal method
Electrical connection		Via angular connector, 180° rotatable, wire protection, cable gland M20 x 1.5, incl. strain relief, connection cable: Outer diameter 7 ... 13 mm, conductor cross-section 0.14 ... 1.5 mm ² , temperature resistance up to 70 °C
Wiring protection		Angular connector: IP65 per EN/IEC 60529

As a supply voltage, an unstabilised DC power supply is sufficient in the range of the specified limits. It is important to ensure that the applied supply voltage is at least greater than the maximum required voltage drop from the external display and evaluation units; i.e. the voltage at the instrument must not fall below 10 V.

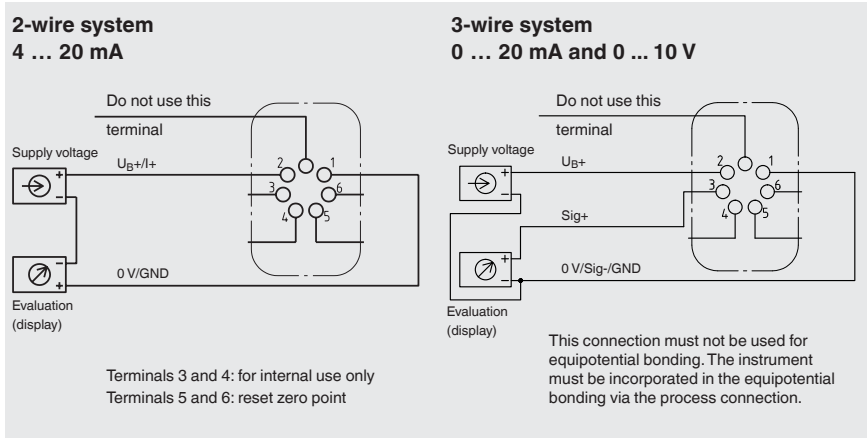
3. Specifications

Designation of terminal connectors

The exact pin assignments can be found in the following drawings. In addition, the pin assignment, output signal and the required supply voltage are stated on the product label.

The following diagram shows the standard terminal assignment. For customer-specific designs, the terminal assignment on the product label must be followed.

EN



Explanation of the terminal assignments used:

$U_B +$	Positive terminal of supply voltage
0 V/Sig-/GND	Negative terminal of supply voltage and output signal
Sig+	Positive terminal of output signal
I+	Output signal

For further specifications see the corresponding product label, WIKA data sheet and order documentation.

For versions with optional explosion protection read the "Additional information for hazardous areas (Ex i), models DPS40, DPGS40, DPGS40TA und DPGT40", article number 14110818.

4. Design and function

4. Design and function

4.1 Description

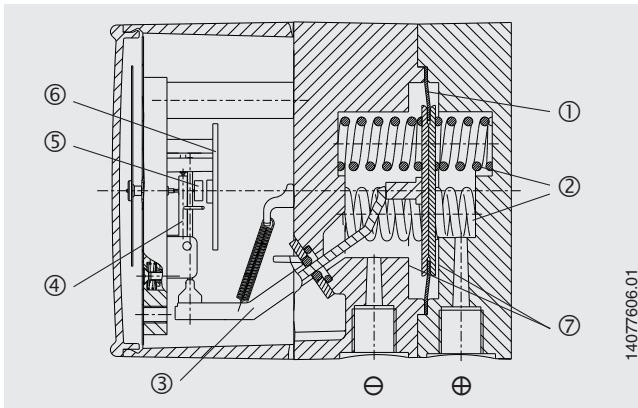
EN Pressures p_1 and p_2 act on the media chambers \oplus and \ominus , which are separated by an elastic diaphragm ①.

The differential pressure ($\Delta p = p_1 - p_2$) leads to an axial deflection of the diaphragm against the measuring range springs ②.

The deflection, which is proportional to the differential pressure, is transmitted to the movement ④ in the indicating case via a pressure-tight and low friction rocker arm ③.

A magnet ⑤, fixed to the rear of the movement, affects the electromagnetic field of the HALL sensor. The signal that results from this is converted to a standardised current output signal by the signal conditioning board ⑥.

Overpressure safety is provided by metal bolsters ⑦ resting against the elastic diaphragm.



4.2 Scope of delivery

Cross-check scope of delivery with delivery note.

5. Transport, packaging and storage

5.1 Transport

Check the instrument for any damage that may have been caused by transport. Obvious damage must be reported immediately.

5.2 Packaging

Do not remove packaging until just before mounting.

Keep the packaging as it will provide optimum protection during transport (e.g. change in installation site, sending for repair).

5.3 Storage

Permissible conditions at the place of storage

Storage temperature: -40 ... +70 °C

In order to prevent damage, the following points should be noted for the storage of the instruments:

- Leave the instruments in their original packaging
- Following any possible removal of the measuring instruments, e.g. for testing, the instrument should again be stored in its original packaging

Avoid exposure to the following factors:

- Direct sunlight or proximity to hot objects
- Mechanical vibration, mechanical shock (putting it down hard)
- Soot, vapour, dust, humidity and corrosive gases
- Potentially explosive environments, flammable atmosphere



WARNING!

Before storing the instrument, any residual media must be removed. This is of particular importance if the medium is hazardous to health, e.g. caustic, toxic, carcinogenic, radioactive, etc.

6. Commissioning, operation

6.1 Mechanical connection

- In accordance with the general technical regulations for pressure gauges (e.g. EN 837-2 "Selection and installation recommendations for pressure gauges").
- Mounting of the pressure connections according to affixed symbols, \oplus high pressure, \ominus low pressure
- Mounting by means of:
 - rigid measuring line or
 - wall mounting with available mounting links
- Process connections 2 x G 1/4 female, lower mount (LM), in-line, centre distance 26 mm, operating position NL 90 (nominal position) per DIN 16257 (i.e. vertical dial), design the threads of the pressure connection in accordance with EN 837-3 (section 7.3.2).
- Prior to the installation of the instrument, clean the measuring lines thoroughly by tapping and blowing or rinsing
- Protect measuring instruments from contamination and high temperature changes!
- The instrument must be mounted free from vibration and should be aligned so that it is easy to read. It is recommended that an isolation device is interposed between the pressure tapping point and the pressure gauge, which will enable the replacement of the instrument and a zero point check while the plant is running. The instruments should be protected against coarse dirt and wide fluctuations in ambient temperature.
- Correct sealing of the connections must be made using suitable flat gaskets, sealing rings or WIKA profile sealings. In order to orientate the gauge so that the on-site display can be read as well as possible, a clamp socket or union nut should be used. When screwing on and unscrewing the instruments they should not be gripped by the case, but rather only on the spanner flats of the connection!







Wall mounting

Mounting using three integrally cast mounting lugs

6. Commissioning, operation

Measuring assemblies

Proven measuring assemblies for various types of media. The assemblies that are particularly recommended for use are shown below.

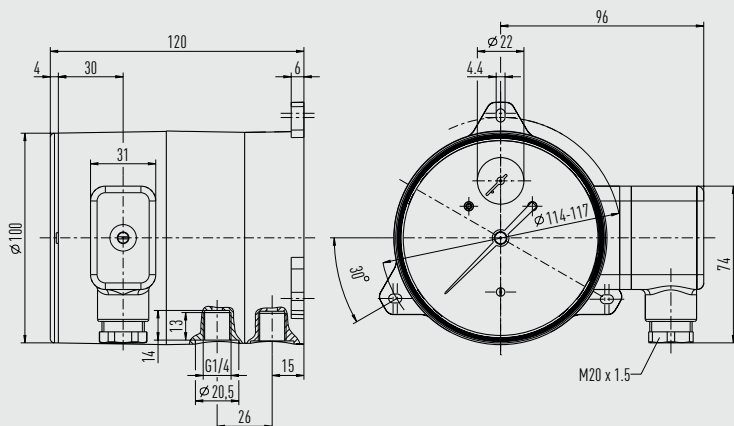
	Liquid media			Gaseous media		
Filling of the measuring line	liquid	liquid with vapour	completely vapourised	gaseous	partially condensed (damp)	completely condensed
Examples	condensate	boiling liquids	"liquid gases"	dry air	moist air flue gases	steam
Pressure gauge above the tapping point						
Pressure gauge below the tapping point						

EN

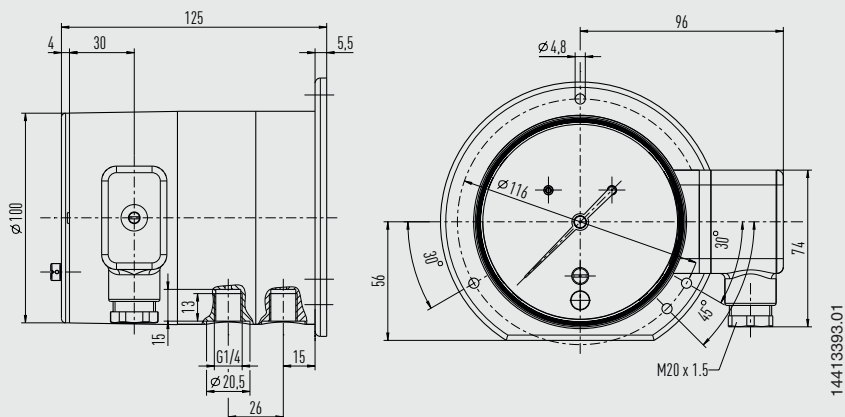
6. Commissioning, operation

Dimensions in mm

DELTA-trans, model DPGT40 with aluminium measuring chamber



DELTA-trans, model DPGT40 with stainless steel measuring chamber



Measuring assemblies

The preferred measuring assemblies for various possible applications are specified in DIN 19216.

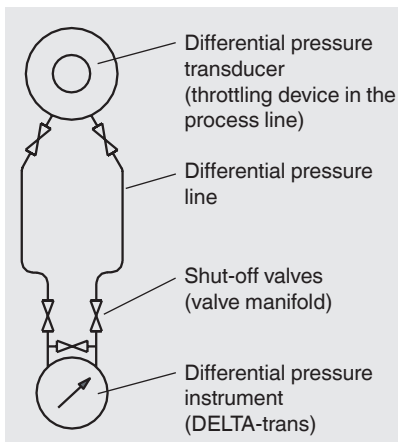
The following schematic diagram shows a recommended assembly for liquid media. As throttling devices, differential pressure transducers should be provided in accordance with DIN 1952 (issue 07.82), now replaced by EN 5167/1.

The differential pressure lines must be made from metal, their bore must not be less than 4 mm and the effective length between the valve manifold and the differential pressure measuring instrument must be at least 500 mm.

In addition, the length and the bore of the pressure lines should be such that, with cold lines, the response time of the differential pressure instrument is not more than 5 seconds.

The connections of the differential pressure lines must be welded, brazed or screwed using metal sealing elements.

Shut-off valves in differential pressure lines must only be operated using tools.



Safety instructions for installation



- Follow the installation and safety instructions within the operating instructions.
- Install instruments in accordance with the manufacturer's instructions and the valid standards and regulations.
- The instruments do not provide for incorporated overcurrent protectors!

Once the pressure connection and the electrical connections have been made, the pressure gauges are ready for immediate use.

Commissioning

During the commissioning process pressure surges must be avoided at all costs. Open the shut-off valves slowly.

6.2 Electrical zero point (4 mA)

The zero point adjustment is made by an adjustment screw in the front, which, depending on the instrument model, is accessible by loosening the window or the locking screw. By turning the adjustment screw using a screwdriver the desired zero point is set.

EN If the mechanical zero point has been altered via the adjustment screw, the electrical zero point must be matched again to the mechanical one.

For this, the differential pressure gauge must first be depressurised.

Remove the entire cable cover on the right-hand side of the instrument. To do this, undo the screw ① on the top of the cable cover cap ② completely with a slotted screwdriver (0.6 x 3.5 mm). Remove the screw. Pull the cable cover ③, along with the socket insert ④, out from the cable socket baseplate ⑤.

This isolates the instrument from the voltage supply.

Take the cable cover cap ② from the cable cap ③ and push the socket insert ④ out, downwards, completely through the cable cap ③.

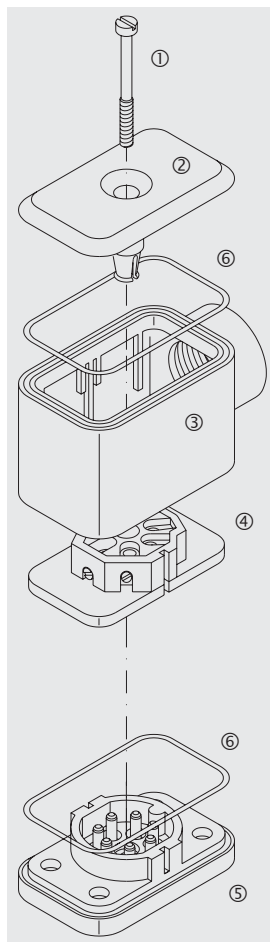
Bridge contacts 5 and 6 on the socket insert with a short length of wire, stripped at both ends (maximum permissible resistance 30 Ω).

Reassemble the connector in the reverse order. Insert the connector, with the piece of wire mounted, into the pin insert ⑤. This remakes the voltage supply.

Within a max. of 30 seconds, the new zero point will be saved within the electronics. During this time, the current in the loop will rise to 9.5 mA.

The new zero point is maintained, even with a loss of power, for an extended period.

Once more, disconnect the connector in the order described above and remove the piece of wire. After again assembling the connector, the electrical output signal will once more match the display of the mechanical pointer.



- ① Screw
- ② Cable cover cap
- ③ Cable cover
- ④ Socket insert
- ⑤ Cable socket baseplate
- ⑥ Sealings



In order that the ingress protection is maintained, the seals ⑥ must be refitted.

6.3 Setting up a voltage supply

The voltage supply is made via a power supply unit or a control unit which provides the energy limitation.

The supply voltage for the pressure gauge must be made via an energy-limited electrical circuit in accordance with section 9.3 of UL/EN/IEC 61010-1, or an LPS to UL/EN/IEC 60950-1, or class 2 in accordance with UL1310/UL1585 (NEC or CEC). The power supply must be suitable for operation above 2,000 m should the pressure gauge be used at this altitude.

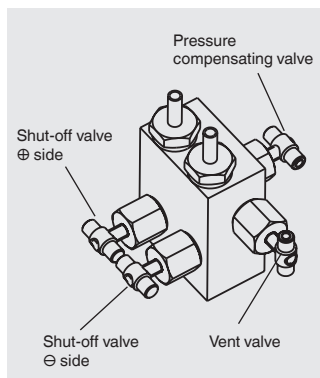
7. Options and accessories

7.1 4-way valve manifold

- Isolation of the \oplus and \ominus process lines for **removing** or **testing** the measuring instrument without interrupting the running process operation.

Protection of the instrument against excessive overpressure loading, such as in pressure tests and undefined operating conditions (including intermittent shutdown).

- Pressure compensation for **zero point checking** with running processes, and avoiding one-sided overpressure loading during start-up and operation phases (with opened pressure compensating valve).
- **Venting** the measuring lines with liquid media and **flushing** of the measuring lines, in order to remove contamination.



Specifications for handling

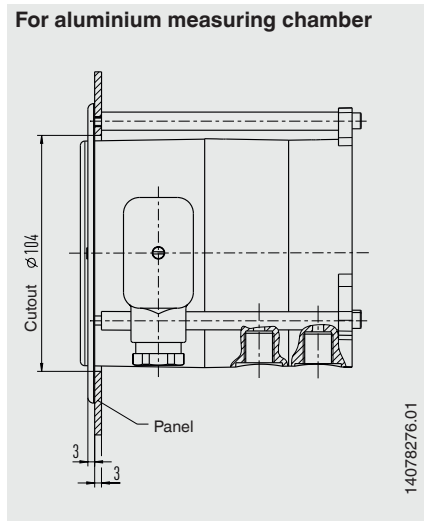
- Sequence of operations to **start measurement**
 1. Open the pressure compensating valve (middle valve spindle)
 2. Open the shut-off valve for the negative media chamber (\ominus , right-hand valve) and the positive media chamber (\oplus , left-hand valve)
 3. Close the pressure compensating valve
- Sequence of operations to **flush/vent** the measuring lines
 1. Start: Open the shut-off valve for the \oplus and \ominus media chamber, open the pressure compensating valve and vent valve
 2. Finish: Close the pressure compensating valve and vent valve

- Sequence of operations to **finish measurement** (also temporary shutdown)
 1. Open the pressure compensating valve
 2. Close the shut-off valve for the \oplus and \ominus media chamber
- Sequence of operations to **dismount the measuring instrument** with a running process
 1. Close the shut-off valve for the \oplus and \ominus media chamber
 2. **Open the vent valve**

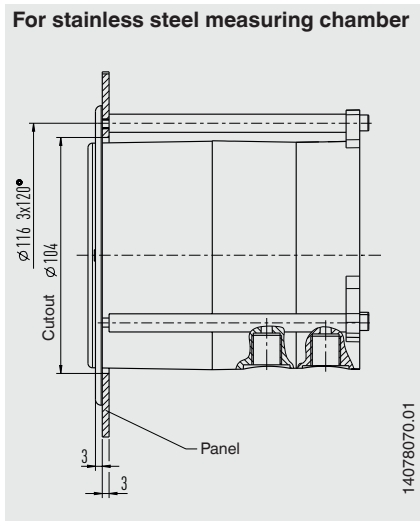
EN

7.2 Panel mounting flange

For aluminium measuring chamber



For stainless steel measuring chamber



8. Maintenance

The instruments are maintenance-free.

The indicator and switching function should be checked once or twice every year. For this the instrument must be disconnected from the process to check with a pressure testing device.

Repairs must only be carried out by the manufacturer.

9. Dismounting, return and disposal



WARNING!

Residual media in dismantled measuring instruments can result in a risk to persons, the environment and equipment.

Take sufficient precautionary measures.

EN

9.1 Dismounting

Only disconnect the measuring instrument once the system has been depressurised and the power disconnected!

If necessary, the measuring line must have strain relief.

9.2 Return

Wash or clean the dismantled measuring instrument before returning it, in order to protect personnel and the environment from exposure to residual media.

9.3 Disposal

Incorrect disposal can put the environment at risk. Dispose of instrument components and packaging materials in an environmentally compatible way and in accordance with the country-specific waste disposal regulations.

Inhalt

1. Allgemeines	24
2. Sicherheit	25
3. Technische Daten	29
4. Aufbau und Funktion	32
5. Transport, Verpackung und Lagerung	33
6. Inbetriebnahme, Betrieb	34
7. Optionen und Zubehör	39
8. Wartung	40
9. Demontage, Rücksendung und Entsorgung	41
Anlage: EU-Konformitätserklärung	42

Konformitätserklärungen finden Sie online unter www.wika.de.

1. Allgemeines

- Die in der Betriebsanleitung beschriebenen Geräte werden nach dem aktuellen Stand der Technik konstruiert und gefertigt. Alle Komponenten unterliegen während der Fertigung strengen Qualitäts- und Umweltkriterien. Unsere Managementsysteme sind nach ISO 9001 und ISO 14001 zertifiziert.
- Diese Betriebsanleitung gibt wichtige Hinweise zum Umgang mit dem Gerät. Voraussetzung für sicheres Arbeiten ist die Einhaltung aller angegebenen Sicherheitshinweise und Handlungsanweisungen.
- Die für den Einsatzbereich des Gerätes geltenden örtlichen Unfallverhütungsvorschriften und allgemeinen Sicherheitsbestimmungen einhalten.
- Die Betriebsanleitung ist Produktbestandteil und muss in unmittelbarer Nähe des Gerätes für das Fachpersonal jederzeit zugänglich aufbewahrt werden.
- Das Fachpersonal muss die Betriebsanleitung vor Beginn aller Arbeiten sorgfältig durchgelesen und verstanden haben.
- Die Haftung des Herstellers erlischt bei Schäden durch bestimmungswidrige Verwendung, Nichtbeachten dieser Betriebsanleitung, Einsatz ungenügend qualifizierten Fachpersonals sowie eigenmächtiger Veränderung am Gerät.
- Es gelten die allgemeinen Geschäftsbedingungen in den Verkaufsunterlagen.
- Technische Änderungen vorbehalten.
- Weitere Informationen:
 - Internet-Adresse: www.wika.de / www.wika.com
 - zugehöriges Datenblatt: PV 17.19
 - Für Ex-Ausführung: Zusatzinformation für explosionsgefährdete Bereiche (Ex i)

Symbolerklärung



WARNUNG!

... weist auf eine möglicherweise gefährliche Situation hin, die zum Tod oder zu schweren Verletzungen führen kann, wenn sie nicht gemieden wird.



Information

... hebt nützliche Tipps und Empfehlungen sowie Informationen für einen effizienten und störungsfreien Betrieb hervor.

2. Sicherheit



WARNUNG!

Vor Montage, Inbetriebnahme und Betrieb sicherstellen, dass das richtige Gerät hinsichtlich Ausführung und spezifischen Messbedingungen ausgewählt wurde.

Verträglichkeit der druckbelasteten Werkstoffe mit dem Messstoff prüfen!

Die Belastungsgrenzen sind einzuhalten, um die Messgenauigkeit und die Lebensdauer zu gewährleisten.

Alle Arbeiten dürfen nur im spannungslosen Zustand erfolgen.

Bei Nichtbeachten können schwere Körperverletzungen und/oder Sachschäden auftreten.



Information

Weitere wichtige Sicherheitshinweise befinden sich in den einzelnen Kapiteln dieser Betriebsanleitung.

2.1 Bestimmungsgemäße Verwendung

Die Differenzdruckmessgeräte der Produktfamilie DELTA-line werden vorzugsweise zur Überwachung von niedrigen Differenzdrücken mit hohen Anforderungen an einseitige Überlast und statischem Druck eingesetzt.

Typische Märkte dieser Produkte sind die Schiffsindustrie, Prozesswärmetechnik, Heizungs-, Klima-, Lüftungstechnik, Wasser-/Abwasserindustrie und Maschinen- und Anlagenbau. Hier ist die Hauptaufgabe der Messgeräte die Überwachung von Filtern, Kompressoren und Pumpen.

Klassifizierung nach europäischer Druckgeräte richtlinie

- Geräteart: Druckhaltendes Ausrüstungsteil ohne Sicherheitsfunktion
- Messstoffe: Flüssig oder gasförmig, Gruppe 1 (gefährlich)
- Maximal zulässiger Druck PS, siehe Kapitel 2.4 „Beschilderung / Sicherheitskennzeichnungen“
- Volumen: < 0,1 L

Das Gerät ist ausschließlich für den hier beschriebenen bestimmungsgemäßen Verwendungszweck konzipiert und konstruiert und darf nur dementsprechend verwendet werden.

Ansprüche jeglicher Art aufgrund von nicht bestimmungsgemäßer Verwendung sind ausgeschlossen.

2.2 Personalqualifikation



WARNUNG!

Verletzungsgefahr bei unzureichender Qualifikation!

Unsachgemäßer Umgang kann zu erheblichen Personen- und Sachschäden führen.

- Die in dieser Betriebsanleitung beschriebenen Tätigkeiten nur durch Fachpersonal nachfolgend beschriebener Qualifikation durchführen lassen.

DE

Fachpersonal

Das Fachpersonal ist aufgrund seiner fachlichen Ausbildung, seiner Kenntnisse der Mess- und Regelungstechnik und seiner Erfahrungen sowie Kenntnis der landesspezifischen Vorschriften, geltenden Normen und Richtlinien in der Lage, die beschriebenen Arbeiten auszuführen und mögliche Gefahren selbstständig zu erkennen.

2.3 Besondere Gefahren



WARNUNG!

Bei gefährlichen Messstoffen wie z. B. Sauerstoff, Acetylen, brennbaren oder giftigen Stoffen, sowie bei Kälteanlagen, Kompressoren etc. müssen über die gesamten allgemeinen Regeln hinaus die jeweils bestehenden einschlägigen Vorschriften beachtet werden.

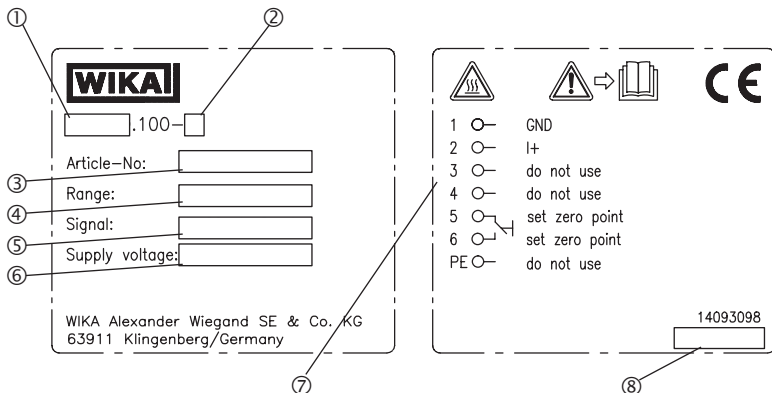


WARNUNG!

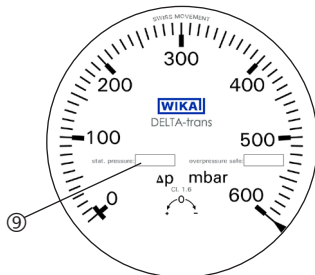
Messstoffreste in ausgebauten Messgeräten können zur Gefährdung von Personen, Umwelt und Einrichtung führen. Ausreichende Vorsichtsmaßnahmen ergreifen.

2.4 Beschilderung, Sicherheitskennzeichnungen

Typenschild



Zifferblatt (Beispiel)



- ① Typ DPGT40
- ② Code
 - A Ausgangssignal 4 ... 20 mA, 2-Leiter
 - E Ausgangssignal 4 ... 20 mA, 2-Leiter, ATEX Ex II 2G Ex ib IIC T4 / T5 / T6
 - B Ausgangssignal 0 ... 20 mA, 3-Leiter
 - F Ausgangssignal 0 ... 10 V, 3-Leiter
- ③ Artikelnummer
- ④ Messbereich
- ⑤ Ausgangssignal
- ⑥ Hilfsenergie
- ⑦ Anschlussbelegung
- ⑧ Herstellungsdatum
- ⑨ Maximal zulässiger Druck PS nach europäischer Druckgeräterichtlinie

Symbolerklärung



Vor Montage und Inbetriebnahme des Gerätes unbedingt die Betriebsanleitung lesen!



CE, Communauté Européenne

Geräte mit dieser Kennzeichnung stimmen überein mit den zutreffenden europäischen Richtlinien.



Verbrennungsgefahr!

Möglicherweise gefährliche Situation durch heiße Oberflächen.

Aufgrund der maximal zulässigen Prozesstemperatur von 90 °C können Messzellen, Anschlussstücke, Ventile oder sonstige Anbauteile eine Temperatur von 90 °C erreichen.

3. Technische Daten

3. Technische Daten

Mechanische Daten	DELTA-trans Typ DPGT40
Nenngröße	Differenzdruckanzeige: Ø 100 mm Betriebsdruckanzeige: Ø 22 mm
Genauigkeit	Differenzdruckanzeige: ≤ 2,5 % der Spanne (Option ≤ 1,6 %) Betriebsdruckanzeige: ≤ 4 % der Spanne
Anzeigebereiche (EN 837)	Differenzdruck: 0 ... 0,16 bis 0 ... 10 bar Betriebsdruck: 0 ... 25 bar
Max. Betriebsdruck (stat.)	25 bar
Überlastsicherheit	Max. 25 bar Ein-, beid- und wechselseitig auf der ⊕- und ⊖-Seite
Zulässige Temperatur	Umgebung: -10 ... +70 °C (Ex-Version: -10 ... +60 °C) Messstoff: -10 ... +90 °C Lagerung: -40 ... +70 °C
Schutzart	IP65 nach EN/IEC 60529
Messskammer (messstoffberührt)	Aluminium, EN AC-Al Si9Cu3(Fe), schwarz lackiert (Option: CrNi-Stahl 1.4571)
Prozessanschlüsse (messstoffberührt)	2 x G 1/4 Innengewinde, Anschlusslage unten, hintereinander, Achsabstand 26 mm
Messglieder (messstoffberührt)	Differenzdruck: Druckfedern aus CrNi-Stahl 1.4310 und Trennmembrane aus FPM/FKM (Option: NBR) Betriebsdruck: Rohrfeder aus Cu-Legierung
Übertragungsteile (messstoffberührt)	CrNi-Stahl 1.4301, 1.4305, 1.4310, FPM/FKM (Option: NBR)
Dichtungen (messstoffberührt)	FPM/FKM (Option: NBR)
Zeigerwerk	Kupferlegierung
Zifferblatt	Differenz- und Betriebsdruckanzeige: Zifferblatt weiß, Skalierung schwarz
Zeiger	Differenz- und Betriebsdruckanzeige: Zeiger blau
Nullpunkteinstellung für Differenzdruckanzeige	über Schraube im Zifferblatt
Gehäuse	Aluminium, EN AC-Al Si9Cu3(Fe), schwarz lackiert
Sichtscheibe	Kunststoff, mit Verschlusschraube zur Nullpunktkorrektur
Gewicht	ca. 1,3 kg

DE

3. Technische Daten

Elektrische Daten

Hilfsenergie U_B	DC V	12 < U_B ≤ 30 (Variante 1 + 3) 14 < U_B ≤ 30 (Variante 2) 15 < U_B ≤ 30 (Variante 4)
Einfluss der Hilfsenergie	% vom EW/10 V	≤ 0,1
Zulässige Restwelligkeit	% ss	≤ 10
Ausgangssignal	Variante 1 Variante 2 Variante 3 Variante 4	4 ... 20 mA, 2-Leiter, passiv, nach NAMUR NE 43 4 ... 20 mA, 2-Leiter, Ex-Version 0 ... 20 mA, 3-Leiter 0 ... 10 V, 3-Leiter
Zulässige max. Bürde R_A (Variante 1 - 3)		$R_A \leq (U_B - 12 \text{ V})/0,02 \text{ A}$ mit R_A in Ω und U_B in V, jedoch max. 600 Ω
Bürdeneinfluss (Variante 1 - 3)	% vom EW	≤ 0,1
Elektrischer Nullpunkt		durch Überbrückung der Klemmen 5 und 6
Langzeitstabilität Elektronik	% vom EW/a	< 0,3
Elektr. Ausgangssignal		≤ 2,5 % der Messspanne (Option ≤ 1,6 %)
Kennlinienabweichung	% d. Spanne	≤ 2,5 % (Option ≤ 1,6 %), Grenzpunkteinstellung
Elektrischer Anschluss		über Winkelsteckverbinder, 180 ° verdrehbar, Drahtschutz, Kabelverschraubung M20 x 1,5, inkl. Zugentlastung, Anschlusskabel: Außendurchmesser 7 ... 13 mm, Leiterquerschnitt 0,14 ... 1,5 mm ² , Temperaturbeständigkeit bis 70 °C
Elektrische Schutzart		Winkelsteckverbinder: IP65 nach EN/IEC 60529

Als Hilfsenergie genügt eine unstabilisierte Gleichspannung im Bereich der angegebenen Grenzen. Es ist darauf zu achten, dass die angelegte Hilfsenergie um den Betrag höher ist als die maximal erforderliche Spannung, die an den externen Anzeige- und Auswertegeräten abfällt, d. h. dass die am Gerät anliegende Spannung nicht unter 10 V abfällt.

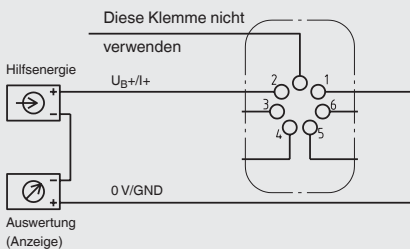
Belegung der Anschlussklemmen

Die genauen Anschlussbelegungen können den nachfolgenden Zeichnungen entnommen werden. Zusätzlich sind Anschlussbelegung, Ausgangssignal und erforderliche Hilfsenergie auf dem Typenschild vermerkt.

Die folgende Darstellung zeigt die Standard-Klemmenbelegung. Bei kundenspezifischen Ausführungen ist die Klemmenbelegung auf dem Typenschild zu beachten.

2-Leiter-System

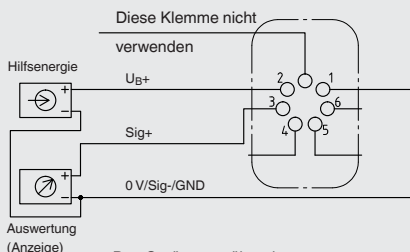
4 ... 20 mA



Klemmen 3 und 4: nur für internen Gebrauch
Klemmen 5 und 6: Nullpunkt zurücksetzen

3-Leiter-System

0 ... 20 mA und 0 ... 10 V



Das Gerät muss über den Prozessanschluss in den Potentialausgleich einbezogen werden.

Bedeutung der verwendeten Klemmenbezeichnungen:

U_B+	Plusklemme der Hilfsenergie
0 V/Sig-/GND	Minusklemme der Hilfsenergie und des Ausgangssignals
Sig+	Plusklemme des Ausgangssignals
I+	Ausgangssignal

Weitere technische Daten siehe jeweiliges Typenschild, WIKA-Datenblatt und Bestellunterlagen.

Für Ausführungen mit optionalem Explosionsschutz „Zusatzinformation für explosionsgefährdete Bereiche (Ex i), Typen DPS40, DPGS40, DPGS40TA und DPGT40“, Artikelnummer 14110818 lesen.

4. Aufbau und Funktion

4.1 Beschreibung

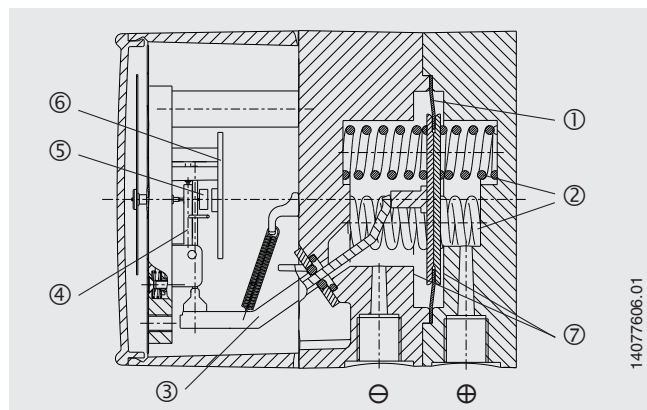
In den Messstoffräumen \oplus und \ominus , die durch eine elastische Membrane ① getrennt sind, herrschen die Drücke p_1 und p_2 .

Der Differenzdruck ($\Delta p = p_1 - p_2$) bewirkt eine axiale Auslenkung (Messweg) der Membrane gegen die Messbereichsfedern ②.

Der dem Differenzdruck proportionale Messweg wird über einen Kipphebel ③ druckdicht und reibungsarm in das Anzeigegehäuse auf das Zeigerwerk ④ übertragen.

Ein rückseitig am Zeigerwerk befestigter Magnet ⑤ beeinflusst das elektromagnetische Feld des HALL-Sensors. Das dabei entstehende Signal wird durch die Signalverarbeitungsplatine ⑥ in ein normiertes Stromausgangssignal gewandelt.

Die Überlastsicherheit wird durch Anlage der elastischen Membrane an metallische Stützflächen ⑦ erreicht.



4.2 Lieferumfang

Lieferumfang mit dem Lieferschein abgleichen.

5. Transport, Verpackung und Lagerung

5.1 Transport

Gerät auf eventuell vorhandene Transportschäden untersuchen. Offensichtliche Schäden unverzüglich mitteilen.

5.2 Verpackung

Verpackung erst unmittelbar vor der Montage entfernen.

Die Verpackung aufbewahren, denn diese bietet bei einem Transport einen optimalen Schutz (z. B. wechselnder Einbauort, Reparatursendung).

5.3 Lagerung

Zulässige Bedingungen am Lagerort

Lagertemperatur: -40 ... +70 °C

Um Schäden zu vermeiden, sind für die Lagerung der Geräte folgende Punkte zu beachten:

- Geräte in der Originalverpackung belassen
- Nach einer eventuellen Entnahme der Messgeräte für z. B. Prüfungen, sollte das Gerät wieder in der Originalverpackung eingelagert werden

Vermeiden Sie folgende Einflüsse:

- Direktes Sonnenlicht oder Nähe zu heißen Gegenständen
- Mechanische Vibration, mechanischer Schock (hartes Aufstellen)
- Ruß, Dampf, Staub, Feuchtigkeit und korrosive Gase
- Explosionsgefährdete Umgebung, entzündliche Atmosphäre



WARNUNG!

Vor der Einlagerung des Gerätes müssen alle ggf. anhaftenden Messstoffreste entfernt werden. Dies ist besonders wichtig, wenn das Medium gesundheitsgefährdend ist, wie z. B. ätzend, giftig, krebserregend, radioaktiv, usw.

6. Inbetriebnahme, Betrieb

6.1 Mechanischer Anschluss




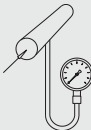
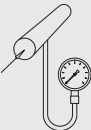
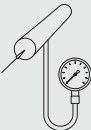
- Entsprechend den allgemeinen technischen Regeln für Manometer (z. B. EN 837-2 „Auswahl- und Einbauempfehlungen für Druckmessgeräte“).
- Montage der Druckanschlüsse nach angebrachten Symbolen,
⊕ hoher Druck, ⊖ niedriger Druck
- Befestigung über:
 - starre Messleitung oder
 - Wandbefestigung über vorhandene Montagelaschen
- Prozessanschlüsse 2 x G 1/4 Innengewinde, Anschlusslage unten, hintereinander, Achsabstand 26 mm, Gebrauchslage NL 90 nach DIN 16257 (d.h. Zifferblatt senkrecht), Gewinde der Anschlusszapfen vorzugsweise nach EN 837-3 (Abschnitt 7.3.2) ausführen.
- Messleitungen vor der Gerätemontage gründlich durch Abklopfen und Ausblasen oder Durchspülen reinigen
- Messgeräte vor Verschmutzung und starken Temperaturschwankungen schützen!
- Das Gerät muss erschütterungsfrei befestigt werden und soll gut ablesbar angeordnet sein. Es empfiehlt sich, zwischen Druckentnahmestelle und Manometer eine Absperrvorrichtung zwischenschalten, die einen Austausch des Messgerätes und eine Nullpunktkontrolle bei laufender Anlage ermöglicht. Die Geräte sind vor grober Verschmutzung und starken Schwankungen der Umgebungstemperatur zu schützen.
- Zur Abdichtung der Anschlüsse sind Flachdichtungen, Dichtlinsen oder WIKA-Profilabdichtungen einzusetzen. Um das Druckmessgerät in die Stellung zu bringen, in der sich die örtliche Anzeige am besten ablesen lässt, ist ein Anschluss mit Spannmuffe oder Überwurfmutter zu empfehlen. Beim Ein- und Ausschrauben dürfen die Geräte nicht am Gehäuse angezogen werden, sondern nur an den Schlüsselflächen des Anschlussstutzens!

Wandmontage

Befestigung über drei angegossene Befestigungslaschen

Messanordnungen

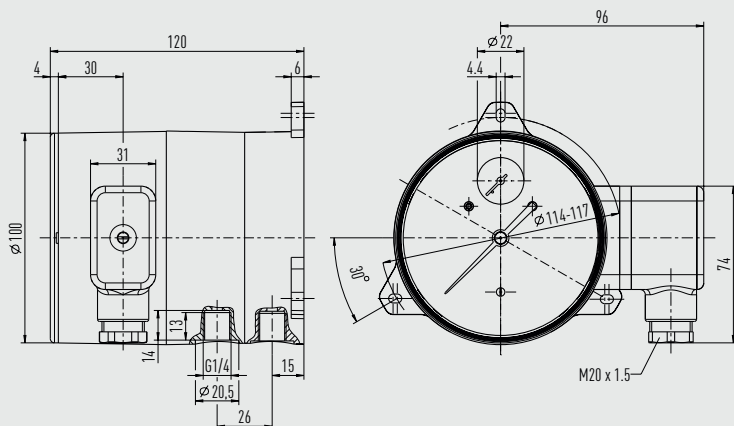
Bewährte Messanordnungen für verschiedene Messstoffarten. Die zur Anwendung besonders empfohlenen Anordnungen sind nachfolgend dargestellt.

Füllung der Messleitung	Flüssige Messstoffe			Gasförmige Messstoffe		
	flüssig	zum Teil ausgasend	vollständig verdampft	gasförmig	zum Teil kondensiert (feucht)	vollständig kondensiert
Beispiele	Kondensat	siedende Flüssigkeiten	„Flüssiggase“	trockene Luft	feuchte Luft Rauchgase	Wasserdampf
Manometer oberhalb des Entnahmestutzens						
Manometer unterhalb des Entnahmestutzens						

6. Inbetriebnahme, Betrieb

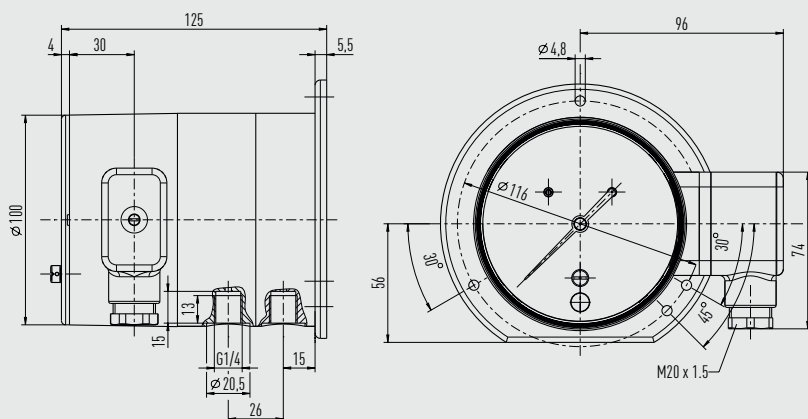
Abmessungen in mm

DELTA-trans, Typ DPGT40 mit Aluminium-Messkammer



14078303.01

DELTA-trans, Typ DPGT40 mit CrNi-Stahl-Messkammer



14413393.01

14093267.05 09/2020 EN/DE

Messanordnungen

Die zu bevorzugenden Messanordnungen für verschiedene Einsatzmöglichkeiten sind in DIN 19216 beschrieben.

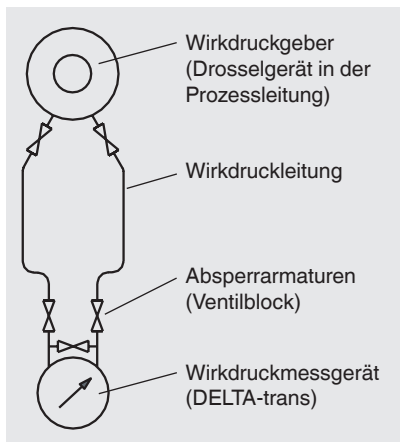
Die nachfolgende Prinzipdarstellung zeigt eine empfohlene Anordnung bei flüssigen Messstoffen. Als Drosselgeräte sind Wirkdruckgeber nach DIN 1952 (Ausgabe 07.82) ersetzt durch EN 5167/1 vorzusehen.

Die Wirkdruckleitungen müssen aus Metall gefertigt sein, ihre lichte Weite darf 4 mm nicht unterschreiten und die gestreckte Länge zwischen Ventilblock und Differenzdruckmessgerät muss mindestens 500 mm betragen.

Außerdem sind Länge und lichte Weite der Wirkdruckleitungen so zu bemessen, dass bei kalter Leitung die Ansprechzeit des Wirkdruckmessgerätes nicht mehr als 5 Sekunden beträgt.

Die Verbindungen der Wirkdruckleitungen müssen verschweißt, hartgelötet oder mit metallischen Dichtelementen verschraubt werden.

Absperrarmaturen in Wirkdruckleitungen dürfen nur mit Werkzeugen zu betätigen sein.



Sicherheitshinweise bei Installation



- Installations- und Sicherheitshinweise der Betriebsanleitung beachten.
- Geräte gemäß Herstellerangaben und den gültigen Normen und Regeln installieren.
- In den Geräten sind keine Überstrom-Schutzeinrichtungen eingebaut!

Nach Herstellen der Druckverbindung und der elektrischen Anschlüsse sind die Manometer sofort betriebsbereit.

Inbetriebnahme

Bei Inbetriebnahme Druckstöße unbedingt vermeiden, Absperrventile langsam öffnen.

6.2 Elektrischer Nullpunkt (4 mA)

Die Nullpunkteinstellung erfolgt über eine frontseitige Einstellschraube, welche je nach Gerätetyp durch Lösen der Sichtscheibe bzw. der Verschlusschraube zugänglich ist. Durch Drehen der Einstellschraube mit einem Schraubendreher wird der gewünschte Nullpunkt eingestellt.

Wird der mechanische Nullpunkt über die Einstellschraube verändert, muss der elektrische Nullpunkt wieder dem mechanischen angepasst werden.

Hierzu das Differenzdruckmanometer zuerst in den drucklosen Zustand bringen.

Die ganze Kabelhaube an der rechten Geräteseite lösen. Dazu mit einem Schlitzschraubendreher (0,6 x 3,5 mm) die Schraube ① an der Oberseite des Kabelhaubendeckels ② vollständig lösen. Die Schraube herausnehmen. Die Kabelhaube ③ samt Buchseneinsatz ④ vom Kabel Dosenunterteil ⑤ abziehen. Damit ist das Gerät von der Spannungsversorgung getrennt.

Kabelhaubendeckel ② von der Kabelhaube ③ entfernen und den Buchseneinsatz ④ ganz durch die Kabelhaube ③ nach unten herausdrücken.

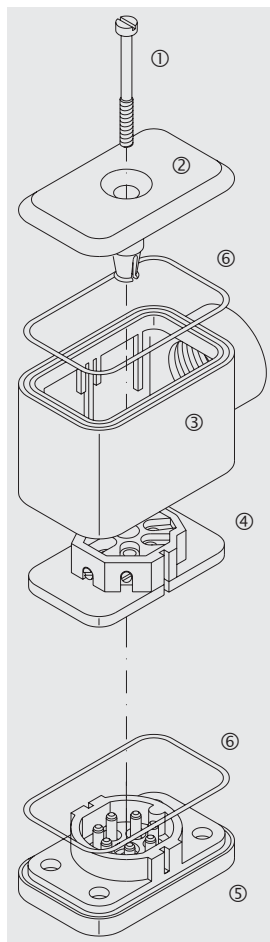
Die Kontakte 5 und 6 an dem Buchseneinsatz mit einem kurzen, an beiden Enden abisolierten Stück Litze (maximal zulässiger Widerstand 30 Ω) überbrücken.

Den Stecker wieder in umgekehrter Reihenfolge montieren. Den Stecker mit montiertem Stück Litzendraht auf den Stifteinsatz ⑤ stecken. Damit ist die Spannungsversorgung wieder hergestellt.

Innerhalb von max. 30 Sekunden wird der neue Nullpunkt in der Elektronik gespeichert. Während dieser Zeit steigt der Strom in der Schleife auf 9,5 mA.

Der neue Nullpunkt bleibt auch bei Spannungsausfall auf Dauer gespeichert.

Den Stecker in der oben beschriebenen Reihenfolge wieder lösen und das Stück Litzendraht entfernen. Nach erneutem Montieren des Steckers ist das elektrische Ausgangssignal wieder deckungsgleich mit der Anzeige des mechanischen Zeigers.



- ① Schraube
- ② Kabelhaubendeckel
- ③ Kabelhaube
- ④ Buchseneinsatz
- ⑤ Kabel Dosenunterteil
- ⑥ Dichtungen



Damit die Schutzart erhalten bleibt, unbedingt die Dichtungen ⑥ wieder montieren.

6.3 Spannungsversorgung einrichten

Die Spannungsversorgung erfolgt über Speise- oder Steuergeräte, die über eine Energiebegrenzung verfügen.

Die Versorgung des Gerätes muss durch einen energiebegrenzten Stromkreis gemäß 9.3 der UL/EN/IEC 61010-1 oder LPS gemäß UL/EN/IEC 60950-1 oder Class 2 gemäß UL1310/UL1585 (NEC oder CEC) erfolgen. Die Stromversorgung muss für den Betrieb oberhalb 2.000 m geeignet sein, falls der Druckmessumformer ab dieser Höhe verwendet wird.

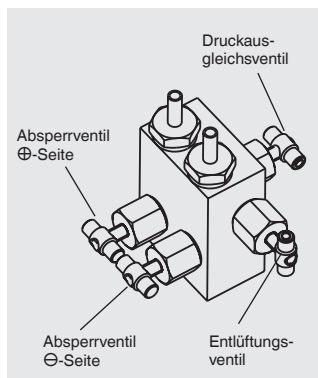
7. Optionen und Zubehör

7.1 4-fach-Ventilblock

- Absperrung der \oplus - und \ominus -Prozessleitung zur **Demontage** oder **Prüfung** des Messgerätes ohne Störung des laufenden Betriebsprozesses.

Schutz des Gerätes gegen unzulässige Überdruckbelastung, wie z. B. bei Druckprüfungen und undefinierten Betriebsverhältnissen (auch zeitweiliger Stilllegung).

- Druckausgleich zur **Nullpunktkontrolle** bei laufendem Prozess sowie Vermeidung einseitiger Überdruckbelastung während der Anfahr- bzw. Betriebsphase (bei geöffnetem Druckausgleichsventil).
- **Entlüftung** der Messleitungen bei flüssigen Messstoffen und **Spülung** der Messleitungen, um Verunreinigungen zu entfernen.



Angaben zum Handling

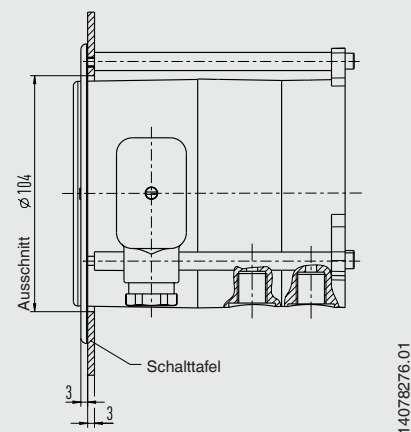
- Arbeitsgangfolge zum **Messanfang**
 1. Druckausgleichsventil (mittlere Ventilspindel) öffnen
 2. Absperrventil der Minus-Messstoffraum (\ominus , rechtes Ventil) und der Plus-Messstoffraum (\oplus , linkes Ventil) öffnen
 3. Druckausgleichsventil schließen
- Arbeitsgangfolge zum **Spülen/Entlüften** der Messleitungen
 1. Anfang: Absperrventil der \oplus - und \ominus -Messstoffraum öffnen, Druckausgleichsventil und Entlüftungsventil öffnen
 2. Ende: Druckausgleichsventil und Entlüftungsventil schließen

- Arbeitsgangfolge zu **Messende** (auch zeitweise Stilllegung)
 1. Druckausgleichsventil öffnen
 2. Absperrventil der \oplus - und \ominus -Messstoffraum schließen
- Arbeitsgangfolge zur **Demontage des Messgerätes** bei laufendem Prozess
 1. Absperrventil der \oplus - und \ominus -Messstoffraum schließen
 2. **Entlüftungsventil öffnen**

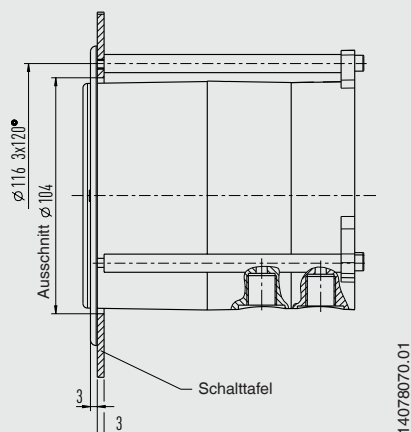
DE

7.2 Befestigungsrand für Schalttafelmontage

Für Aluminium-Messkammer



Für CrNi-Stahl-Messkammer



8. Wartung

Die Geräte sind wartungsfrei.

Eine Überprüfung der Anzeige und der Schaltfunktion sollte etwa 1 bis 2 mal pro Jahr erfolgen. Dazu ist das Gerät vom Prozess zu trennen und mit einer Druckprüfvorrichtung zu kontrollieren.

Reparaturen sind ausschließlich vom Hersteller durchzuführen.

9. Demontage, Rücksendung und Entsorgung



WARNUNG!

Messstoffreste in ausgebauten Messgeräten können zur Gefährdung von Personen, Umwelt und Einrichtung führen. Ausreichende Vorsichtsmaßnahmen ergreifen.

9.1 Demontage

Messgerät nur im drucklosen und spannungsfreiem Zustand demontieren! Gegebenenfalls muss die Messleitung entspannt werden.

9.2 Rücksendung

Ausgebautes Messgerät vor der Rücksendung spülen bzw. säubern, um Mitarbeiter und Umwelt vor Gefährdung durch anhaftende Messstoffreste zu schützen.

9.3 Entsorgung

Durch falsche Entsorgung können Gefahren für die Umwelt entstehen. Gerätekomponenten und Verpackungsmaterialien entsprechend den landesspezifischen Abfallbehandlungs- und Entsorgungsvorschriften umweltgerecht entsorgen.



EU-Konformitätserklärung EU Declaration of Conformity

Dokument Nr.: **14099963.04**
Document No.:

Wir erklären in alleiniger Verantwortung, dass die mit CE gekennzeichneten Produkte
We declare under our sole responsibility that the CE marked products

Typenbezeichnung: **DPGT40.100-A; DPGT40.100-B; DPGT40.100-F; DPGT40.100-E⁽¹⁾**
Type Designation:

Beschreibung: **Differenzdruck-Messumformer**
Description: **Differential pressure transmitter**

gemäß gültigem Datenblatt: **PV 17.19**
according to the valid data sheet:

die wesentlichen Schutzanforderungen der folgenden Richtlinien erfüllen: **Harmonisierte Normen:**
comply with the essential protection requirements of the directives: **Harmonized standards:**

2011/65/EU	Gefährliche Stoffe (RoHS) Hazardous substances (RoHS)	EN 50581:2012
2014/30/EU	Elektromagnetische Verträglichkeit (EMV) Electromagnetic Compatibility (EMC)	EN 61326-1:2013 EN 61326-2-3:2013
2014/34/EU	Explosionsschutz (ATEX) ⁽¹⁾ Explosion protection (ATEX) ⁽¹⁾	EN 60079-0 :2012 +A11 :2013 EN 60079-11:2012



II 2G Ex ia IIC T4/T5/T6 Gb
II 2D Ex ia IIIB T135°C Db

(1) EG-Baumusterprüfbescheinigung BVS 15 ATEX E 073 X von DEKRA EXAM GmbH, D-44809 Bochum (Reg.-Nr. 0158).
EC type-examination certificate BVS 15 ATEX E 073 X from DEKRA EXAM GmbH, D-44809 Bochum (Reg. no. 0158).

Unterszeichnet für und im Namen von / Signed for and on behalf of

WIKAI Alexander Wiegand SE & Co. KG

Klingenberg, 2017-07-04

Thorsten Seefried, Vice President
Process Gauges

Michael Glombitza, Head of Quality Management
Process Gauges

WIKAI Alexander Wiegand SE & Co. KG
Alexander-Wiegand-Straße 30
63911 Klingenberg
Germany

Tel. +49 9372 132-0
Fax +49 9372 132-409
E-Mail info@wika.de
www.wika.de

Kommanditgesellschaft: Sitz Klingenberg –
Amtsgericht Aschaffenburg HRB 1819
Komplementärin: WIKAI Verwaltungs SE & Co. KG –
Sitz Klingenberg – Amtsgericht Aschaffenburg
HRA 4685

Komplementärin:
WIKAI International SE – Sitz Klingenberg –
Amtsgericht Aschaffenburg HRB 10505
Vorstand: Alexander Wiegand
Vorsitzender des Aufsichtsrats: Dr. Max Egli

WIKA subsidiaries worldwide can be found online at www.wika.com.
WIKA-Niederlassungen weltweit finden Sie online unter www.wika.de



WIKA Alexander Wiegand SE & Co. KG

Alexander-Wiegand-Straße 30

63911 Klingenberg • Germany

Tel. +49 9372 132-0

Fax +49 9372 132-406

info@wika.de

www.wika.de