

## Expansion thermometer

Model TF58, edgewise panel design 58 x 25 mm

Model TF59, edgewise panel design 62 x 11 mm

WIKA data sheet TM 80.02

### Applications

- Refrigeration industry
- Food and beverage industry
- Heating, ventilation, air conditioning
- Compressors

### Special features

- Temperature display independent from measuring point
- With capillary
- Universally applicable
- Plastic case for panel mounting



Expansion thermometer model TF58, special scales



Expansion thermometer model TF58, white case, vertical arrangement, special scales

### Description

The model TF58 and TF59 expansion thermometers are temperature measuring instruments in plastic cases with drum dials.

The design of each model varies depending on the indication accuracy, scale length, dimensions, type of mounting and panel frame design.



Expansion thermometer model TF59, special scales

## Standard version

### Nominal size

Model TF58: edgewise panel design 58 x 25 mm

Model TF59: edgewise panel design 62 x 11 mm

### Accuracy class

Model TF00-058 KHR:  $\pm 3$  % of measuring range

Model TF00-058 KHS:  $\pm 4$  % of measuring range

Model TF01-058 KF:  $\pm 2$  % of measuring range

Model TF00-059 K:  $\pm 2$  % of measuring range

Model TF00-059 K45:  $\pm 2$  % of measuring range

Model TF01-059 K:  $\pm 2$  % of measuring range

Model TF01-059 K45:  $\pm 2$  % of measuring range

### Scale range

Model TF58: -50.....+250 °C

Model TF59: -40.....+200 °C

### Operating temperatures

■ Case: -20 ... +70 °C

■ Capillary:

plastic covered -40 ... +120 °C

copper alloy -100 ... +350 °C

### Dial

Plastic, white, black lettering

### Scale length

Model TF00-058 KHR: max. 90  $\sphericalangle$

Model TF00-058 KHS: max. 90  $\sphericalangle$

Model TF01-058 KF: max. 180  $\sphericalangle$  (optional: 240  $\sphericalangle$ )

Model TF00-059 K: max. 180  $\sphericalangle$  (optional: 240  $\sphericalangle$ )

Model TF01-059 K: max. 180  $\sphericalangle$  (optional: 240  $\sphericalangle$ )

Model TF00-059 K45: max. 180  $\sphericalangle$

Model TF01-059 K45: max. 180  $\sphericalangle$

### Measuring principle

Bourdon tube system

### Capillary length

max. 5 m

### Capillary outlet

back

### Temperature sensor

Design of connection SF94

### Case

Plastic (ABS) black

Model TF00-058 KHR with panel frame (chrome plated ABS)

### Type of mounting

Panel mounting with spring clips

### Window

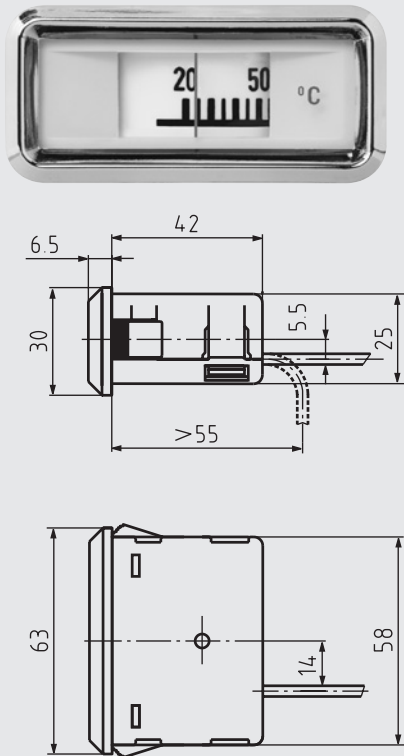
Crystal-clear plastic

## Options

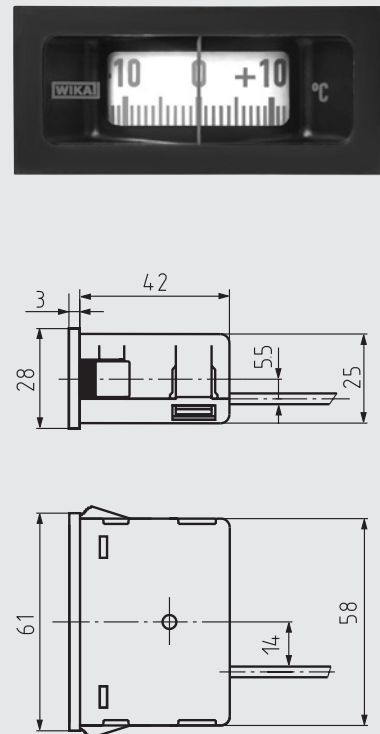
- Other scale ranges
- Other design of connection of the temperature sensor
- Special scales
- Vertical arrangement
- Certified calibration (TF01-058KF-E)
- Case, steel zinc plated
- Case plastic white or grey

## Dimensions in mm

Model TF00-058KHR

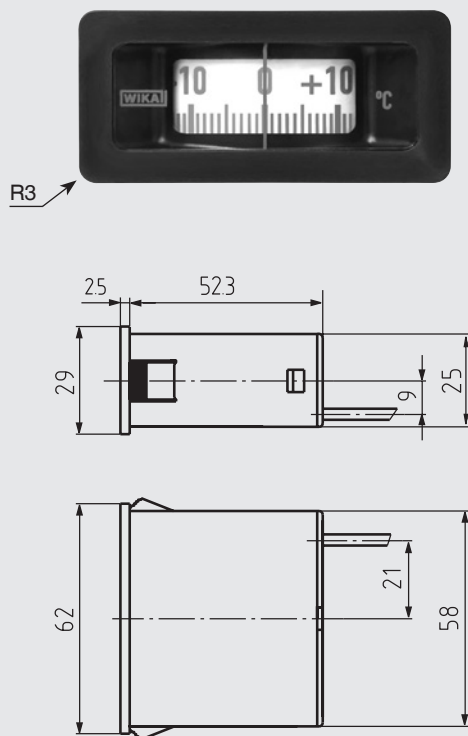


Model TF00-058KHS

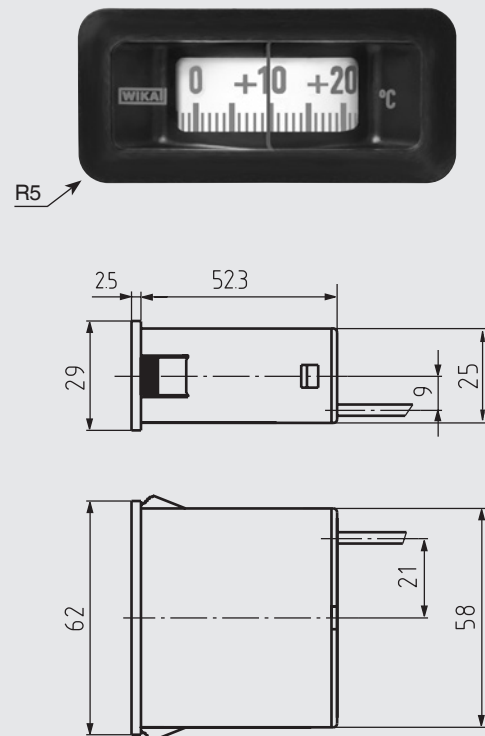


## Options

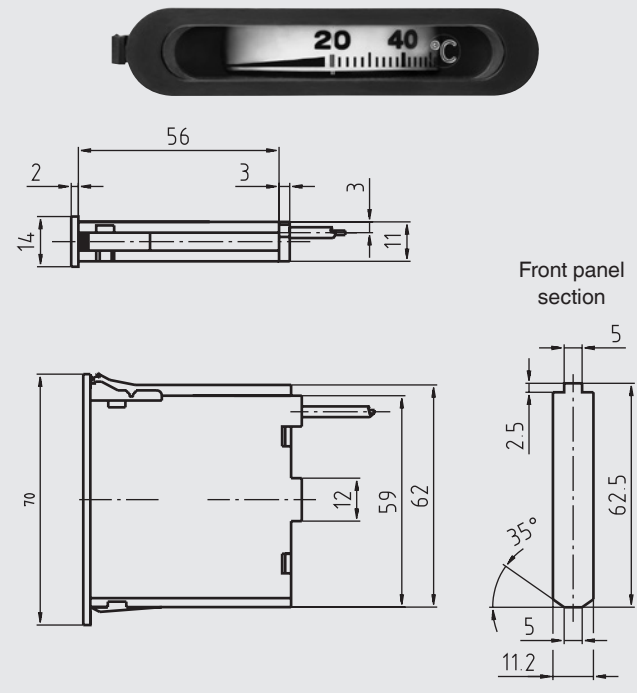
Model TF01-058KF (radius 3 mm)



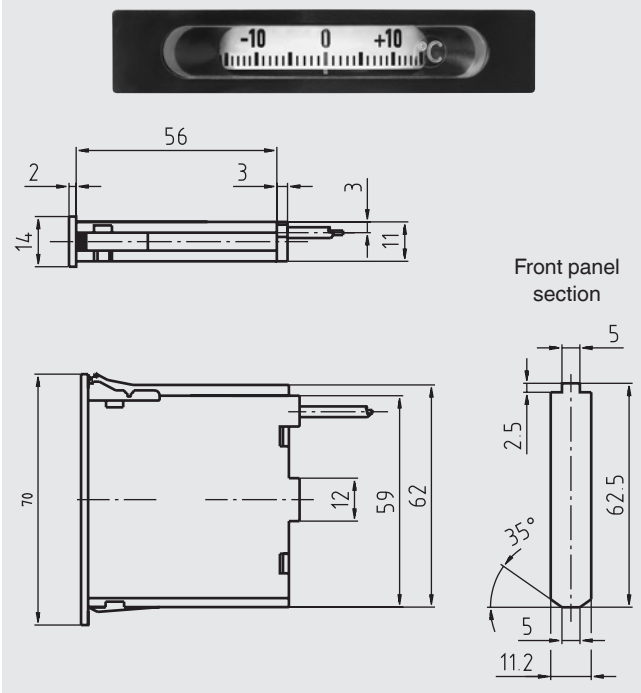
Model TF01-058KF (radius 5 mm)



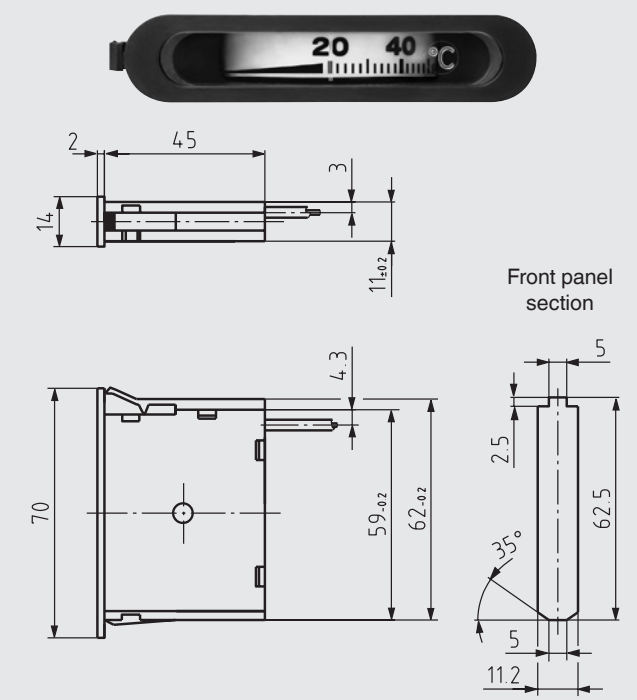
Model TF00-059K



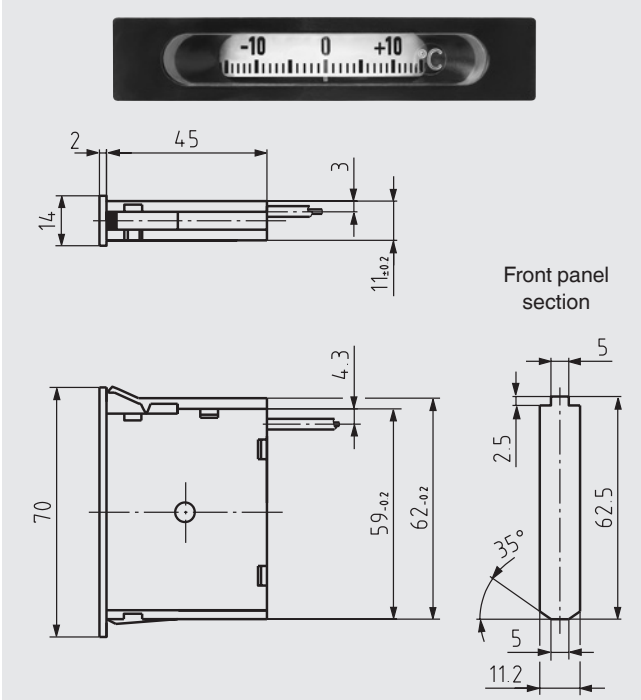
Model TF01-059K



Model TF00-059K45



Model TF01-059K45



**Ordering information**

Model / Scale range / Capillary length / Capillary material / Design of connection / Options

The specifications given in this document represent the state of engineering at the time of publishing. We reserve the right to make modifications to the specifications and materials.



**WIKAI Alexander Wiegand SE & Co. KG**  
 Alexander-Wiegand-Straße 30  
 63911 Klingenberg/Germany  
 Tel. (+49) 9372/132-0  
 Fax (+49) 9372/132-406  
 E-mail info@wika.de  
 www.wika.de